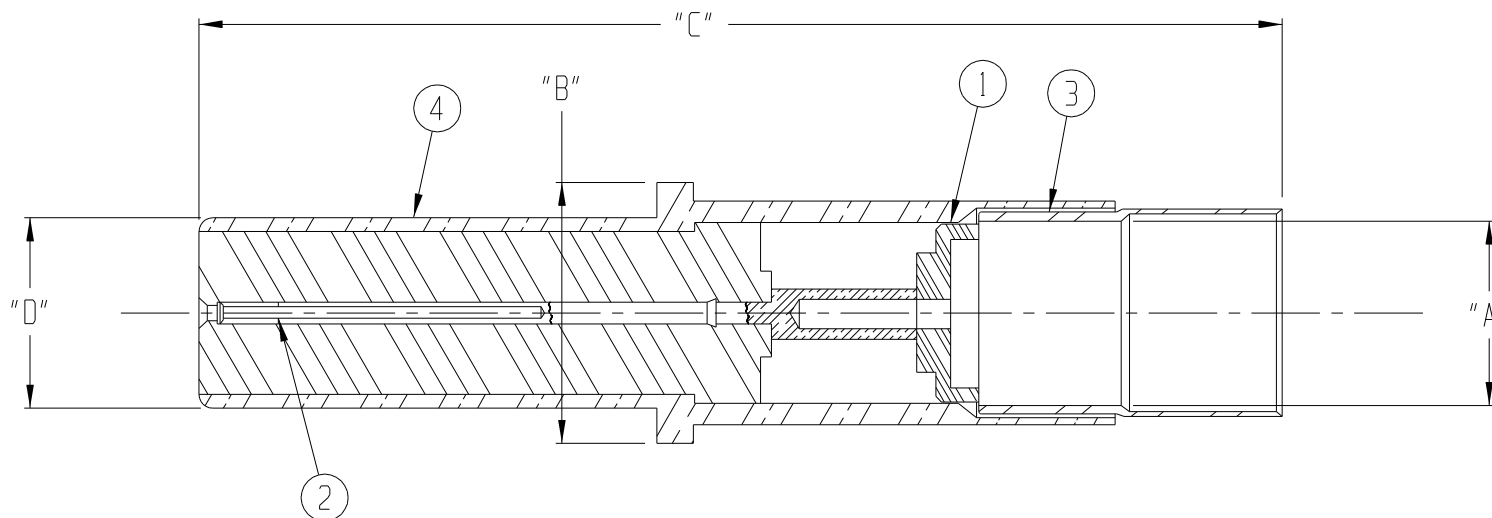


THIS DOCUMENT AND THE INFORMATION IT CONTAINS IS THE PROPERTY OF EMTEQ INC. AND MAY NOT BE USED IN ANY WAY WITHOUT THE EXPRESS WRITTEN CONSENT OF EMTEQ INC.

REV	REVISION	DATE	ER #	INTL
A00	INITIAL RELEASE	07/02/2010	10919	ASL
B00	CHG BOM AND DIM INFO, CHG VIEW OF CONNECTOR	08/25/2010	11176	VML
	CHG PART NUMBER; A68F190-075-1 WAS INCORRECT	09/17/2010	-----	ASL
	CHANGE TITLE AND DESC, ITEM 2	11/03/2010	11367	VML

DIMENSIONAL INFORMATION

PART NO.	"A"	"B"	"C"	"D"	CABLE INSTRUCTIONS
AF68190-075-1	0.183 (4.64)	0.316 (8.03)	1.289 (32.74)	0.219 (5.56)	ES-105-54



SPECIFICATIONS:

1) ELECTRICAL

IMPEDANCE: 75 OHMS NOMINAL
 FREQUENCY RANGE: 0 TO 2 GHz
 VOLTAGE RATING: 1,500 V RMS
 DIELECTRIC WITHSTANDING VOLTAGE: 750 V RMS
 INSULATION RESISTANCE: 5,000 MEGOHMS MIN

2) MECHANICAL

TERMINATION STYLE: INNER CONTACT - SOLDER
 OUTER CONTACT - CRIMP
 TEMPERATURE RANGE: -55° C TO +125° C
 FINISHES:
 BODY FINISH: GOLD PLATED PER MIL-G-45204
 CONTACT FINISH: GOLD PLATED PER MIL-G-45204

DESIGNED IN ACCORDANCE WITH ARINC 600 STANDARDS.

1	75-970-1	BODY	4
1	05-183-2	BUSHING	3
1	06-1509-2	SOCKET CONTACT	2
1	15-840-7	INSULATOR (PRE-ASSEMBLED WITH ITEM 2)	1
AF68190-075-1	PART NUMBER	DESCRIPTION	ITEM

PARTS LIST

MATERIAL	SCALE	SIZE B	DATE 06/07/2010	 5349 S. EMMER DRIVE NEW BERLIN, WI 53151 (888) 679-6170
FINISH	TOLERANCES UNLESS NOTED .XX = ± .03 .XXX = ± .010 ANGLES ± 1°		DRAWN V. LEX DESIGNED CHECKED <i>[Signature]</i> 11/04/2010 APPROVED T. FORST 11/04/2010 <small>CAD GENERATED AND MAINTAINED DRAWING -- DO NOT SCALE</small>	
NOTICE -- ALL CHANGES TO THIS DOCUMENT ARE CONTROLLED BY EMTEQ INC / UNLESS OTHERWISE STATED, ALL REPRODUCTIONS OF THIS DOCUMENT ARE NOT CONTROLLED BY EMTEQ INC			CAGE CODE 06WH3	DWG # AF68190-075-1
				SHT 1 OF 1

FILE: A68F190-075-1.prt