



KU UP/DOWN CONVERTER

SPECTRUM AGILITY

Enhancing capabilities for the evolving battlespace

Collins Aerospace's Ku Up/Down Converter is the perfect complement to expand the capabilities of the RT-2071(C) Secure CDL ISR (SCISR) radio. Expanding the frequency range of the current radio with the latest hardware module brings communication networks into the future for both ground and airborne applications.

Able to operate in a full duplex mode, the Ku Up/Down Converter is designed with a high-power +33 dBm minimum transmitter and a sensitive 4 dB noise figure receiver. Included is the advanced diplexer circuit that enables a single antenna to be shared between both transmit and receive paths.

The Ku Up/Down Converter covers the Ku-Band of 14.4 – 14.83 GHz and 15.15 – 15.35 GHz and translates that to the RT-2071(C) SCISR radio bands of operation.

Frequency agility allows the warfighter to choose the best domain to operate, increasing the integrity of data communications. Its modular approach provides interoperability with virtually any antenna or power amplifier, giving the warfighter the flexibility needed for any mission that requires wideband data throughput.

The Ku Up/Down Converter extends the competitive advantage that the RT-2071 SCISR radio gives you in today's battlespaces.



KEY FEATURES AND BENEFITS

- Low size, weight, power and cost (SWaP-C)
- Non-proprietary interfaces
- Easy attachment to RT-2071(C) and RT-2072(C) SCISR radios
- Supports bi-directional communications
- Extend SCISR into Ku-band

TECHNICAL SPECIFICATIONS**Main radio characteristics**

Length	3.00"
Width	2.25"
Height	0.8"
Weight	<0.5 pounds
Input power	10-32 VDC

Performance characteristics

Input frequencies:

S-Band: 2025-2500 MHz
C-Band: 4400-4990 MHz

Operational frequency

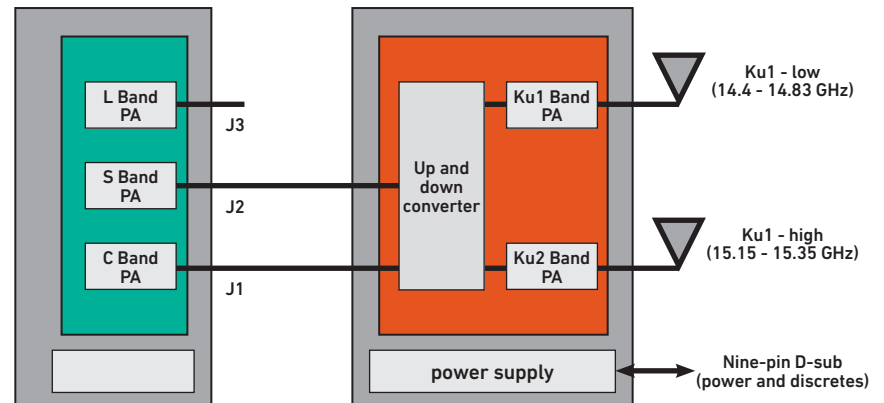
Ku-Band: 14.4-15.35 GHz
Ku-Band (low): 14.4-14.83 GHz
Ku-Band (high): 15.15-15.35 GHz

Typical output power >2 W (all bands)

Power consumption <35 W

Platforms

Applications include: Blackjack, Scan Eagle, Huey, Osprey and other tactical and/or small unmanned aerial vehicles (UAVs) and aircraft. Ideal for small UAVs.

RT-2071 SCISR RADIO**KU UP/DOWN CONVERTER**

Insitu ScanEagle UAV

Specifications subject to change without notice.

**Collins Aerospace**

800.321.2223 | +1.319.295.5100

fax: +1.319.378.1172

learnmore@collins.com

collinsaerospace.com