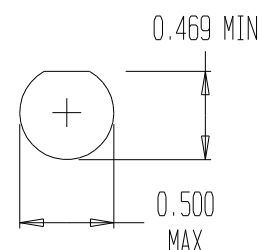
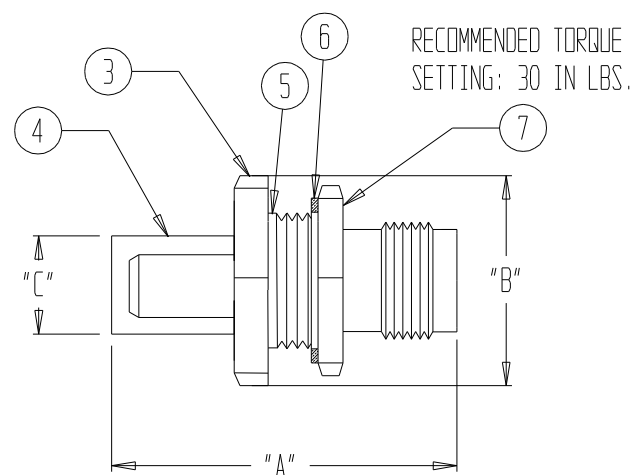


THIS DOCUMENT AND THE INFORMATION IT CONTAINS IS THE PROPERTY OF EMTED INC. AND MAY NOT BE USED IN ANY WAY WITHOUT THE EXPRESS WRITTEN CONSENT OF EMTED INC.

REV	REVISION	DATE	ER #	INTL
H	CHANGE P/N'S OF ITEM 8, HEATSHRINK	10/28/2009	10252	VML

DIMENSIONAL INFORMATION

PART NO.	"A"	"B"	"C"	CABLE ASS'Y. (REF)
TFS130-2	1.42 (36.1)	0.69 (17.5)	0.22 (5.6)	ES-105-3
TFS165-2	1.42 (36.1)	0.69 (17.5)	0.25 (6.4)	ES-105-3
TFS195-2	1.33 (33.8)	0.69 (17.5)	0.25 (6.4)	ES-105-3
TFS205-2	1.33 (33.8)	0.69 (17.5)	0.30 (7.6)	ES-105-3
TFS225-2	1.33 (33.8)	0.69 (17.5)	0.30 (7.6)	ES-105-3
TFS240-2	1.33 (33.8)	0.69 (17.5)	0.30 (7.6)	ES-105-3
TFS295-2	1.56 (39.6)	0.69 (17.5)	0.39 (9.9)	ES-105-7
TFS340-2	1.56 (39.6)	0.69 (17.5)	0.39 (9.9)	ES-105-7
TFS410-2	1.85 (47.0)	0.69 (17.5)	0.61 (15.5)	ES-105-28
TFS488-2	1.85 (47.0)	0.69 (17.5)	0.61 (15.5)	ES-105-28
TFS500-2	1.72 (43.7)	0.69 (17.5)	0.51 (13.0)	ES-105-11



MOUNTING HOLE

SPECIFICATIONS:

- ELECTRICAL
 IMPEDANCE: 50 OHMS
 FREQUENCY RANGE: 0 TO 11 GHZ
 VOLTAGE RATING: 500 V RMS
 DIELECTRIC WITHSTANDING VOLTAGE: 1,500 V RMS
 INSULATION RESISTANCE: 5,000 MEGOHMS MIN

- MECHANICAL
 TERMINATION STYLE: INNER CONTACT - SOLDER
 OUTER CONTACT - CRIMP
 TEMPERATURE RANGE: -65° C TO + 165° C
 FINISHES:
 BODY FINISH: PROPRIETARY NICKEL
 CONTACT FINISH: GOLD PLATED PER MIL-G-45204

DESIGNED IN ACCORDANCE WITH MIL-C-39012 STANDARDS.

TFS	500-2	488-2	410-2	340-2	295-2	240-2	225-2	205-2	195-2	165-2	130-2	PART NUMBER	DESCRIPTION	ITEM
			1	1								ATUM 1/2 BLK	DURABLE HEATSHRINK	8
					1	1	1	1	1	1	1	29-174-2		
	1	1	1									29-174-4		
	1	1	1	1	1	1	1	1	1	1	1	13-100-4	HEX NUT	7
	1	1	1	1	1	1	1	1	1	1	1	32-100-4	LOCKWASHER	6
	1	1	1	1	1	1	1	1	1	1	1	10-100-73	GASKET	5
		1	1									29-142-2	CRIMP TUBE	4
							1					29-100-12		
				1								29-141-2		
											1	29-140-2		
											1	29-140-4		
										1		29-138-2		
											1	29-137-2		
1												29-100-92		
			1									29-100-68		
					1							29-100-63		
										1		29-100-4/29-100-74		
		1	1									09-151-1	BODY	3
							1					09-148-4		
1												09-150-2		
			1	1								09-149-1		
											1	09-148-3		
							1	1				09-148-2		
										1	1	09-148-1		
1	1	1										06-687-4	CONTACT	2
			1	1								06-679-2		
					1	1	1					06-368-4		
												--DELETED--		
										1	1	06-368-11		
											1	06-368-19		
1	1	1										15-345-3	INSULATOR (REAR)	1
			1	1								15-469-5		
					1			1				15-469-4		
									1	1		15-469-3		
							1					15-469-17		
											1	15-469-10		

ASSEMBLY PARTS LIST

MATERIAL	SCALE	SIZE B	DATE 8/24/99	5349 S. EMMER DRIVE NEW BERLIN, WI 53151 (888) 679-6170
	TOLERANCES UNLESS NOTED .XX = ± .03 .XXX = ± .010 ANGLES ± 1°		DRAWN J. HERMAN DESIGNED CHECKED <i>[Signature]</i> 11/02/2009 APPROVED T. FORST 01/11/2010	
FINISH	CAD GENERATED AND MAINTAINED DRAWING -- DO NOT SCALE		CAGE CODE 06WH3	DWG # TFSXXX-2 JACK, BULKHEAD TNC CONNECTOR SHT 1 OF 1

NOTICE -- ALL CHANGES TO THIS DOCUMENT ARE CONTROLLED BY EMTED INC / UNLESS OTHERWISE STATED, ALL REPRODUCTIONS OF THIS DOCUMENT ARE NOT CONTROLLED BY EMTED INC