

THIS DOCUMENT AND THE INFORMATION IT CONTAINS IS THE PROPERTY OF EMTEQ INC. AND MAY NOT BE USED IN ANY WAY WITHOUT THE EXPRESS WRITTEN CONSENT OF EMTEQ INC.

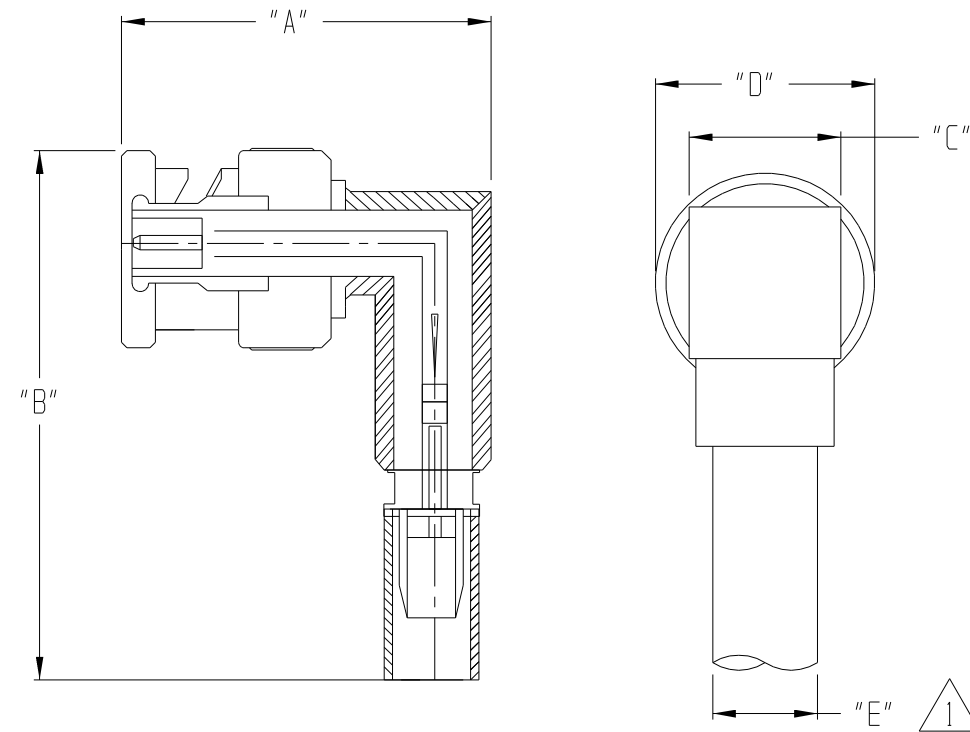
REV	REVISION	DATE	ER #	INTL
A00	RELEASED TO PRODUCTION	04/29/2010	10685	VML

### DIMENSIONAL INFORMATION

PART NO.	"A"	"B"	"C"	"D"	"E"	CABLE ASS'Y.(REF)
MBMR125-075-2	1.04 (26.4)	1.83 (46.5)	0.38 (9.7)	0.56 (14.2)	0.093 (2.4)	TBD
MBMR175-075-2	1.04 (26.4)	1.83 (46.5)	0.38 (9.7)	0.56 (14.2)	0.126 (3.2)	TBD
MBMR190-075-2	1.06 (26.9)	1.83 (46.5)	0.38 (9.7)	0.56 (14.2)	0.159 (4.04)	TBD

NOTES:

1 DIMENSION "E" IS MEASURED ON CONNECTOR BODY



SPECIFICATIONS:

- 1) ELECTRICAL
  - IMPEDANCE: 75 OHMS
  - FREQUENCY RANGE: 0 TO 2 GHZ
  - VOLTAGE RATING: 300 V RMS
  - DIELECTRIC WITHSTANDING VOLTAGE: 1,000 V RMS
  - INSULATION RESISTANCE: 1,000 MEGOHMS MIN

- 2) MECHANICAL
  - TERMINATION STYLE: INNER CONTACT - SOLDER  
OUTER CONTACT - CRIMP
  - TEMPERATURE RANGE: -40° C TO +85° C
  - FINISHES:  
BODY FINISH: PROPRIETARY NICKEL  
CONTACT FINISH: GOLD PLATED PER MIL-G-45204

DESIGNED IN ACCORDANCE WITH MIL-C-39012 STANDARDS.

1	1	1	29-174-3	HEATSHRINK	4	
1			29-100-162	CRIMP TUBE	3	
	1		29-100-49			
	1		60-33333	BODY/CONTACT	2	
1			60-22222			
		1	60-11111	INSULATOR( REAR)	1	
		1	15-469-19			
	1		15-469-6			
1			15-469-11			
MBMR	190-075-2	175-075-2	125-075-2	PART NUMBER	DESCRIPTION	ITEM

PARTS LIST

MATERIAL	SCALE	SIZE B	DATE 03/26/2010	<b>EMTEQ</b> 5349 S. EMMER DRIVE NEW BERLIN, WI 53151 (888) 679-6170
FINISH	TOLERANCES UNLESS NOTED .XX = ± .03 .XXX = ± .010 ANGLES ± 1°		DRAWN V. LEX DESIGNED	
CAD GENERATED AND MAINTAINED DRAWING -- DO NOT SCALE			CHECKED <i>[Signature]</i> 03/29/2010	PLUG, MINI BNC RIGHT ANGLE CONNECTOR
			APPROVED T. FORST 03/29/2010	CAGE CODE 06WH3
				DWG # MBMRXXX-075-2
				SHT 1 OF 1

NOTICE -- ALL CHANGES TO THIS DOCUMENT ARE CONTROLLED BY EMTEQ INC / UNLESS OTHERWISE STATED, ALL REPRODUCTIONS OF THIS DOCUMENT ARE NOT CONTROLLED BY EMTEQ INC

FILE: MBMRXXX-075-2.dwg