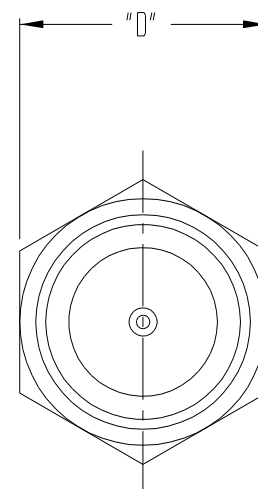
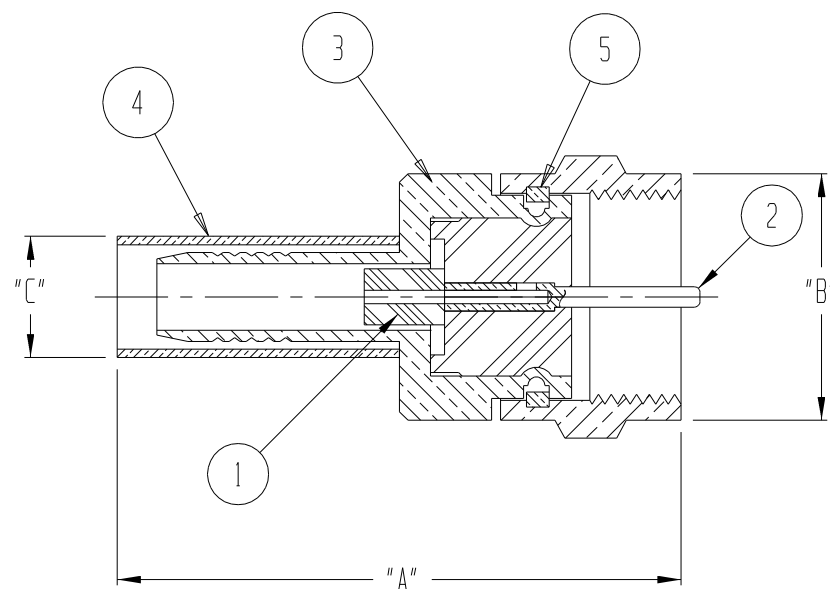


THIS DOCUMENT AND THE INFORMATION IT CONTAINS IS THE PROPERTY OF EMTEQ INC. AND MAY NOT BE USED IN ANY WAY WITHOUT THE EXPRESS WRITTEN CONSENT OF EMTEQ INC.

REV	REVISION	DATE	ER #	INTL
B	CHG DESC ITEM 5, ADD BALLOONS	03/22/2004	3757	VML
C	CHANGE P/N OF ITEM 6, HEATSHRINK	10/29/2009	10252	VML

DIMENSIONAL INFORMATION

PART NO.	"A"	"B"	"C"	"D"	ASSY INSTRUCTIONS
FMS175-075-1	1.00 (25.4)	0.43 (11.0)	0.22 (5.6)	0.44 (11.2)	ES-105-1



SPECIFICATIONS:

1) ELECTRICAL

IMPEDANCE: 75 OHMS
 FREQUENCY RANGE: 0 TO 2 GHZ
 VOLTAGE RATING: 500 V RMS
 DIELECTRIC WITHSTANDING VOLTAGE: 1,500 RMS
 INSULATION RESISTANCE: 5,000 MEGOHMS MIN.


2) MECHANICAL

TERMINATION STYLE: INNER CONTACT - SOLDER
 OUTER CONTACT - CRIMP
 TEMPERATURE RANGE: -65° C TO +165° C
 FINISHES:
 BODY FINISH: PROPRIETARY NICKEL
 CONTACT FINISH: GOLD PLATED PER MIL-G-45204

DESIGNED IN ACCORDANCE WITH MIL-C-39012 STANDARDS.

1	29-174-2	DURABLE HEATSHRINK	6
1	21-100-12	SNAP-RING	5
1	29-100-49	CRIMP TUBE	4
1	09-187-1	BODY	3
1	06-725-2	CONTACT	2
1	15-469-6	INSULATOR(REAR)	1
FMS 175-1	PART NUMBER	DESCRIPTION	ITEM

PARTS LIST

MATERIAL	SCALE	SIZE B	DATE	8/31/99	 5349 SOUTH EMMER DRIVE NEW BERLIN, WI 53151 (888) 679-6170
FINISH	TOLERANCES UNLESS NOTED		DRAWN	J. HERMAN	
	.XX = ± .03 .XXX = ± .010 ANGLES ± 1°		DESIGNED		
CAD GENERATED AND MAINTAINED DRAWING -- DO NOT SCALE			CHECKED	11/02/2009	PLUG, TYPE F, STRAIGHT CONNECTOR
			APPROVED	01/11/2010	
			T. FORST		CAGE CODE 06WH3 DWG # FMSXXX-1 SHT 1 OF 1
NOTICE -- ALL CHANGES TO THIS DOCUMENT ARE CONTROLLED BY EMTEQ INC / UNLESS OTHERWISE STATED, ALL REPRODUCTIONS OF THIS DOCUMENT ARE NOT CONTROLLED BY EMTEQ INC					

FILE: FMSXXX-1.prt