

THIS DOCUMENT AND THE INFORMATION IT CONTAINS IS THE PROPERTY OF EMTEQ INC. AND MAY NOT BE USED IN ANY WAY WITHOUT THE EXPRESS WRITTEN CONSENT OF EMTEQ INC.

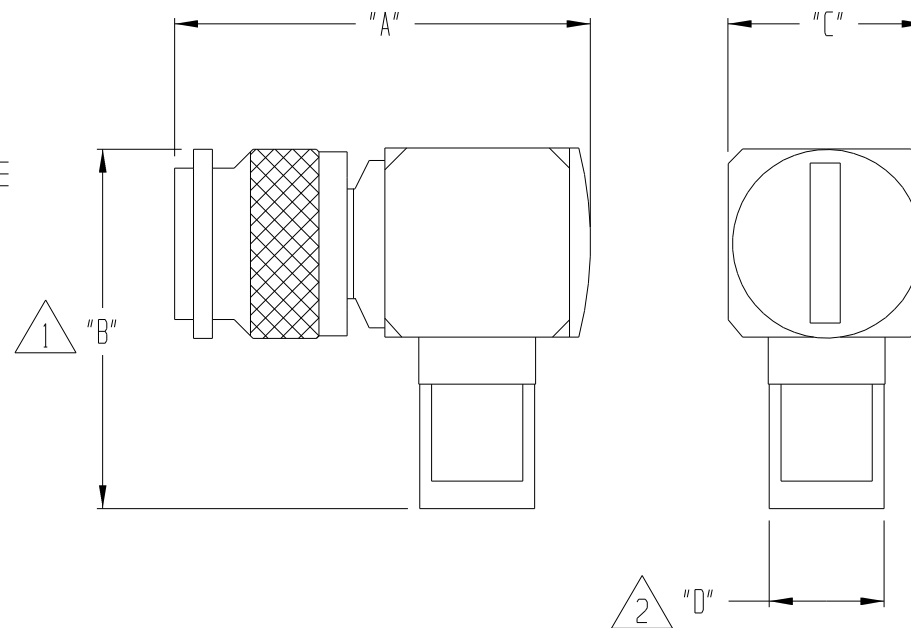
REV	REVISION	DATE	ER #	INTL
R	REPLACE WITH HEX CAPS FOR MOISTURE PROTECTION	09/18/2009	10132	VML
S	CHANGE P/N'S FOR ITEM 5 HEATSHRINK	10/27/2009	10252	VML
	UPDATE DIMENSIONAL INFO IN TABLE	11/5/2010	11361	VML

DIMENSIONAL INFORMATION

PART NO.	"A"	"B"	"C"	"D"	ASS'Y INSTRUCTIONS
TMR114-1	1.35 (34.3)	1.40 (35.6)	0.56 (14.2)	0.48 (12.2)	ES-105-35
TMR130-1	1.06 (26.9)	1.30 (33.0)	0.38 (9.7)	0.22 (5.6)	ES-105-27
TMR165-1	1.06 (26.9)	1.30 (33.0)	0.38 (9.7)	0.25 (6.4)	ES-105-27
TMR195-1	1.06 (26.9)	1.22 (31.0)	0.38 (9.7)	0.25 (6.4)	ES-105-2
TMR205-1	1.06 (26.9)	1.30 (33.0)	0.38 (9.7)	0.30 (7.6)	ES-105-27
TMR225-1	1.06 (26.9)	1.22 (31.0)	0.38 (9.7)	0.30 (7.6)	ES-105-2
TMR240-1	1.06 (26.9)	1.22 (31.0)	0.38 (9.7)	0.30 (7.6)	ES-105-2
TMR295-1	1.35 (34.3)	1.34 (34.0)	0.56 (14.2)	0.39 (9.9)	ES-105-5
TMR340-1	1.35 (34.3)	1.34 (34.0)	0.56 (14.2)	0.39 (9.9)	ES-105-5
TMR400-1	1.35 (34.3)	1.40 (35.6)	0.56 (14.2)	0.48 (12.2)	ES-105-5
TMR410-1	1.56 (39.6)	1.53 (38.9)	0.69 (17.3)	0.51 (13.0)	ES-105-10
TMR488-1	1.56 (39.6)	1.66 (42.2)	0.69 (17.3)	0.61 (15.5)	ES-105-30
TMR500-1	1.56 (39.6)	1.53 (38.9)	0.69 (17.3)	0.56 (14.2)	ES-105-10

NOTES:

- 1 ITEM "B" IS MEASURED WITH CRIMP TUBE ON.
- 2 ITEM "D" IS MEASURED ON THE OUTSIDE OF THE CRIMP TUBE



SPECIFICATIONS:

- 1) ELECTRICAL
 - IMPEDANCE: 50 OHMS
 - FREQUENCY RANGE: 0 TO 11 GHZ
 - VOLTAGE RATING: 1000 V RMS
 - DIELECTRIC WITHSTANDING VOLTAGE: 2,500 V RMS
 - INSULATION RESISTANCE: 5000 MEGOHMS MIN
- 2) MECHANICAL
 - TERMINATION STYLE: INNER CONTACT - SOLDER
OUTER CONTACT - CRIMP
 - TEMPERATURE RANGE: -65° C TO + 165° C
 - FINISHES:
 - BODY FINISH: PROPRIETARY NICKEL
 - CONTACT FINISH: GOLD PLATED PER MIL-G-45204

DESIGNED IN ACCORDANCE WITH MIL-C-39012 STANDARDS.

TMR	500-1	488-1	410-1	400-1	340-1	295-1	240-1	225-1	205-1	195-1	165-1	130-1	114-1	PART NUMBER	DESCRIPTION	ITEM
														10-102-72		
														10-100-120	0-RING	6
														10-100-121		
														ATUM 1/2 BLK		
														29-174-2	DURABLE HEATSHRINK	5
														29-174-4		
														29-142-2		
														29-141-2		
														29-140-2		
														29-140-4		
														29-138-2		
														29-137-2		
														29-100-92		
														29-100-4/29-100-74	CRIMP TUBE	4
														29-100-68		
														29-100-63		
														29-100-56		
														29-100-12		
														09-142-3		
														09-144-1		
														09-142-2		
														09-143-2		
														09-141-4		
														09-141-3		
														09-141-2		
														09-142-1		
														09-146-1		
														09-146-2		
														09-141-1		
														07-127-2		
														07-165-2	CAP	2
														07-164-2		
														15-469-8		
														15-572-1		
														15-345-3		
														15-469-10		
														15-469-5	INSULATOR (REAR)	1
														15-469-4		
														15-469-3		
														15-469-17		

MATERIAL	SCALE	SIZE B	DATE 4/27/99	 5349 S. EMMER DRIVE NEW BERLIN, WI 53151 (888) 679-6170
FINISH	TOLERANCES UNLESS NOTED .XX = ± .03 .XXX = ± .010 ANGLES ± 1°		DRAWN A. LIPOWSKI DESIGNED CHECKED [Signature] 11/22/2010	
CAD GENERATED AND MAINTAINED DRAWING -- DO NOT SCALE			APPROVED T FORST 11/22/2010	CAGE CODE 06WH3 DWG # TMRXXX-1 SHT 1 OF 1

FILE: TMRXXX-1.prt

NOTICE -- ALL CHANGES TO THIS DOCUMENT ARE CONTROLLED BY EMTEQ INC / UNLESS OTHERWISE STATED, ALL REPRODUCTIONS OF THIS DOCUMENT ARE NOT CONTROLLED BY EMTEQ INC