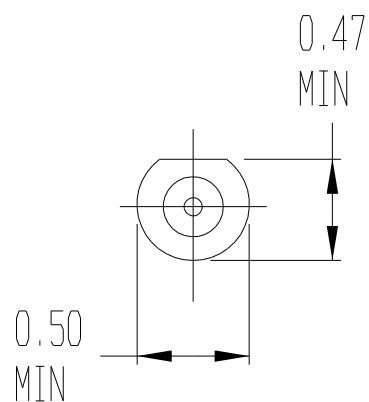
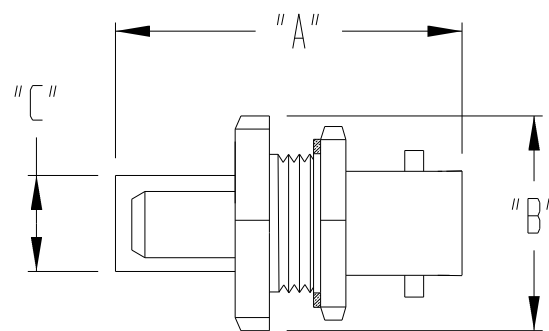


THIS DOCUMENT AND THE INFORMATION IT CONTAINS IS THE PROPERTY OF EMTEQ INC. AND MAY NOT BE USED IN ANY WAY WITHOUT THE EXPRESS WRITTEN CONSENT OF EMTEQ INC.

REV	REVISION	DATE	ER #	INTL
W	CHANGE BFS275-075-2 ASS'Y INSTRUCTIONS	04/24/2009	9644	LLP
X	ADD CONNECTOR BFS190-075-2	08/18/2009	10026	LLP
Y	CHANGE P/N, ITEM 8, HEATSHRINK	10/27/2009	10252	VML
Y01	UPDATE 125-075-2 PARTS	09/18/2014	1344-14	ASL

DIMENSIONAL INFORMATION

PART NO.	"A"	"B"	"C"	ASS'Y INSTRUCTIONS	
BFS125-075-2	1.41 (35.8)	0.69 (17.5)	0.22 (5.6)	ES-105-3	*
BFS130-2	1.41 (35.8)	0.69 (17.5)	0.22 (5.6)	ES-105-3	
BFS165-2	1.41 (35.8)	0.69 (17.5)	0.25 (6.4)	ES-105-3	
BFS175-075-2	1.33 (33.8)	0.69 (17.5)	0.22 (5.6)	ES-105-3	*
BFS190-075-2	1.33 (33.8)	0.69 (17.5)	0.24 (6.1)	ES-105-3	*
BFS195-2	1.33 (33.8)	0.69 (17.5)	0.25 (6.4)	ES-105-3	
BFS205-2	1.41 (35.8)	0.69 (17.5)	0.30 (7.6)	ES-105-3	
BFS240-2	1.33 (33.8)	0.69 (17.5)	0.30 (7.6)	ES-105-3	
BFS275-075-2	1.33 (33.8)	0.69 (17.5)	0.33 (8.4)	ES-105-57	*
BFS295-2	1.56 (39.6)	0.69 (17.5)	0.39 (9.9)	ES-105-7	
BFS340-2	1.56 (39.6)	0.69 (17.5)	0.39 (9.9)	ES-105-7	
BFS410-2	1.33 (33.8)	0.69 (17.5)	0.39 (9.9)	ES-105-3	



RECOMMENDED TORQUE SETTING: 30 IN LBS.

MOUNTING HOLE

SPECIFICATIONS:

- 1) ELECTRICAL
 IMPEDANCE: 50 OHMS
 * 75 OHMS
 FREQUENCY RANGE: 0 TO 4 GHZ
 VOLTAGE RATING: 500 V RMS
 DIELECTRIC WITHSTANDING VOLTAGE: 1,500 V RMS
 INSULATION RESISTANCE: 5,000 MEGOHMS MIN

- 2) MECHANICAL
 TERMINATION STYLE: INNER CONTACT - SOLDER
 OUTER CONTACT - CRIMP
 TEMPERATURE RANGE: -65° C TO + 165° C
 FINISHES:
 BODY FINISH: PROPRIETARY NICKEL
 CONTACT FINISH: GOLD PLATED PER MIL-G-45204

DESIGNED IN ACCORDANCE WITH MIL-C-39012 AND MIL-STD-348 STANDARDS.

MAXIMUM PANEL THICKNESS: 0.172"(4.37mm)

- 3) CONNECTOR WEIGHT: 0.75 OZ.

- 4) * DENOTES 75 OHM CONNECTOR

BFS	410-2	340-2	295-2	275-075-2	240-2	205-2	195-2	190-075-2	175-075-2	165-2	130-2	125-075-2	PART NUMBER	DESCRIPTION	ITEM
													29-174-3	DURABLE HEATSHRINK	8
													ATUM 1/2 BLK		
													ATUM 3/4 BLK		
													29-174-2		
													13-100-4	HEX NUT	7
													32-100-4	LOCKWASHER	6
													10-100-73	GASKET	5
													29-100-162	CRIMP TUBE	4
													29-100-68		
													29-100-155		
													29-141-2		
													29-100-49		
													29-137-2		
													29-100-74/29-100-4		
													29-100-63		
													29-140-2		
													29-140-4		
													29-138-2	BODY	3
													09-10000		
													09-189-1		
													02-593-9		
													09-132-3		
													09-132-2	CONTACT	2
													09-132-1		
													06-10000		
													06-368-2		
													06-368-19		
													06-368-4	INSULATOR (REAR)	1
													06-368-11		
													15-469-5		
													15-469-26		
													15-469-11		
													15-469-6	INSULATOR (REAR)	1
													15-469-19		
													15-469-10		
													15-469-4		
													15-469-3		

LIST OF MATERIAL

MATERIAL	SCALE	SIZE B	DATE 08/24/99	 5349 S. EMMER DRIVE NEW BERLIN, WI 53151 (888) 679-6170
FINISH	TOLERANCES UNLESS NOTED .XX = ± .03 .XXX = ± .010 ANGLES ± 1°	DESIGNED J. HERMAN	CHECKED V. LEX 09/18/2014	
CAD GENERATED AND MAINTAINED DRAWING -- DO NOT SCALE			APPROVED K. BACHLEDA 09/18/2014	CAGE CODE 06WH3
JACK, BULKHEAD BNC CONNECTOR				DWG # BFSXXX-2
NOTICE -- ALL CHANGES TO THIS DOCUMENT ARE CONTROLLED BY EMTEQ INC / UNLESS OTHERWISE STATED, ALL REPRODUCTIONS OF THIS DOCUMENT ARE NOT CONTROLLED BY EMTEQ INC				SHT 1 OF 1

FILE: BFSXXX-2.dwt