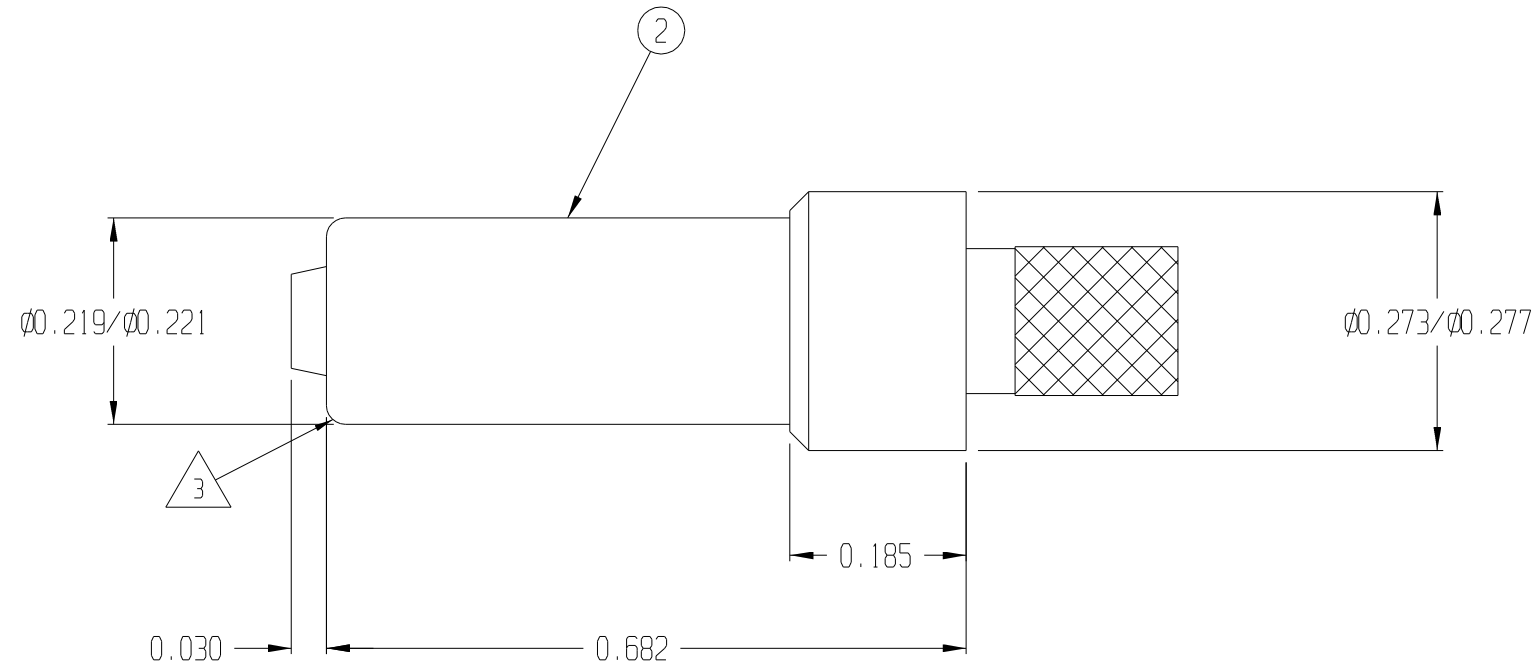


THIS DOCUMENT AND THE INFORMATION IT CONTAINS IS THE PROPERTY OF EMTEQ INC. AND MAY NOT BE USED IN ANY WAY WITHOUT THE EXPRESS WRITTEN CONSENT OF EMTEQ INC.

REV	REVISION	DATE	ER #	INTL
B	DELETED ITEM 4	05/05/2006	5272	LRL



NOTES:

- 1) DESIGNED IN ACCORDANCE WITH ARINC 600 STANDARDS.
- 2) TERMINATE CONNECTOR PER DRAWING ES-105-34.
- 3 ROLL OVER: VERIFY $\phi 0.219/\phi 0.221$ AFTER ROLLING.

SPECIFICATIONS:

- 1) ELECTRICAL
 - IMPEDANCE: 75 OHMS
 - FREQUENCY RANGE: 0 TO 2 GHZ
 - VOLTAGE RATING: 1,500 V RMS
 - DIELECTRIC WITHSTANDING VOLTAGE: 1,500 V RMS
 - INSULATION RESISTANCE: 5,000 MEGOHMS MIN
- 2) MECHANICAL
 - TERMINATION STYLE: INNER CONTACT - SOLDER
OUTER CONTACT - CRIMP
 - TEMPERATURE RANGE: -55° C TO +125° C
 - FINISHES:
 - BODY FINISH: GOLD PLATED PER MIL-G-45204
 - CONTACT FINISH: GOLD PLATED PER MIL-G-45204

	--DELETED--		4
1	29-100-49	CRIMP TUBE	3
1	75-946BS	BODY	2
1	09-121-1	INSULATOR ASSEMBLY	1
A65175-075-2	PART NUMBER	DESCRIPTION	ITEM

PARTS LIST

MATERIAL	SCALE	SIZE B	DATE 11/01/2000	<p>5349 S. EMMER DRIVE NEW BERLIN, WI 53151 (888) 679-6170</p>
FINISH	TOLERANCES UNLESS NOTED		DRAWN L. LUGO	
	.XX = ± .03		DESIGNED	
	.XXX = ± .010		CHECKED 05/05/06 T. FORST	
ANGLES ± 1°		APPROVED <i>[Signature]</i> 05/05/06	CAGE CODE DWG #	ARINC 600: SIZE 5 PIN CONTACT FOR PFLX175-075
CAD GENERATED AND MAINTAINED DRAWING -- DO NOT SCALE		66WH3	A65175-075-2	SHT 1 OF 1

NOTICE -- ALL CHANGES TO THIS DOCUMENT ARE CONTROLLED BY EMTEQ INC / UNLESS OTHERWISE STATED, ALL REPRODUCTIONS OF THIS DOCUMENT ARE NOT CONTROLLED BY EMTEQ INC