

THIS DOCUMENT AND THE INFORMATION IT CONTAINS IS THE PROPERTY OF EMTEQ INC. AND MAY NOT BE USED IN ANY WAY WITHOUT THE EXPRESS WRITTEN CONSENT OF EMTEQ INC.

REV	REVISION	DATE	ER #	INTL
IR	INITIAL RELEASE	8/19/2004	3902	COH

SPECIFICATIONS:

1) ELECTRICAL

IMPEDEANCE: 75 OHMS
 FREQUENCY RANGE: 0 TO 2 GHZ
 VOLTAGE RATING: 1,500 V RMS
 DIELECTRIC WITHSTANDING VOLTAGE: 1500 V RMS
 INSULATION RESISTANCE: 5,000 MEGOHMS MIN

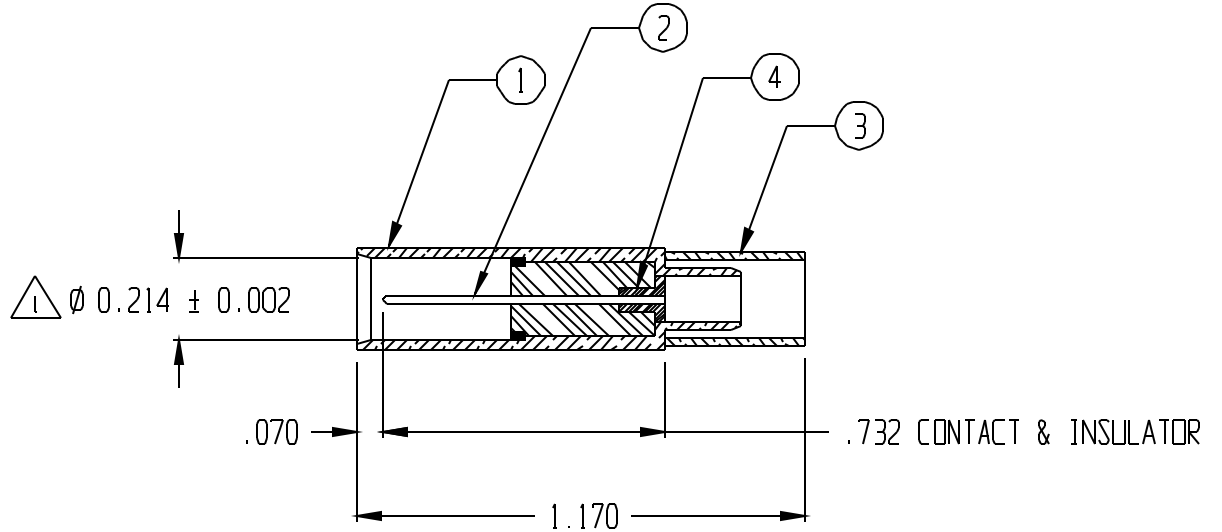
2) MECHANICAL:

TERMINATION STYLE: INNER CONTACT- SOLDER
 OUTER CONTACT - CRIMP
 TEMPERATURE RANGE: -55° C TO +125° C

3) FINISHES:

BODY FINISH: GOLD PLATED PER MIL-G-45204
 CONTACT FINISH: GOLD PLATED PER MIL-G-45204

DESIGNED IN ACCORDANCE WITH ARINC 600 STANDARDS



1	15-717-2	CABLE INSULATOR	4
1	29-140-2	CRIMP TUBE	3
1	06-914-2	CONTACT	2
1	75-947	BODY	1
QTY	PART NUMBER	DESCRIPTION	ITEM
PARTS LIST			

NOTES:

1. CLOSE INSIDE DIAMETER OF LINES TO DIMENSION SHOWN AFTER ASSEMBLY

2.) REFERENCE EMTEQ DWG ES-105-34 FOR ASSEMBLY INSTRUCTIONS.

MATERIAL	SCALE	SIZE A	DATE 6/7/2004	 SB4 W18693 ENTERPRISE DRIVE MUSKEGO, WI 53150 (888) 679-6170
FINISH	TOLERANCES UNLESS NOTED		DRAWN C. HOBSON	
	.XX = ± .02		DESIGNED	
	.XXX = ± .005		CHECKED	
		ANGLES ± 1°	APPROVED 8/19/2004	ARINC 600, 75 OHM COAXIAL CONTACT CRIMP SOCKET SIZE 5
CAD GENERATED AND MAINTAINED DRAWING -- DO NOT SCALE				CAGE CODE 06WH3 DWG # A65125-075-1 SHT 1 OF 1