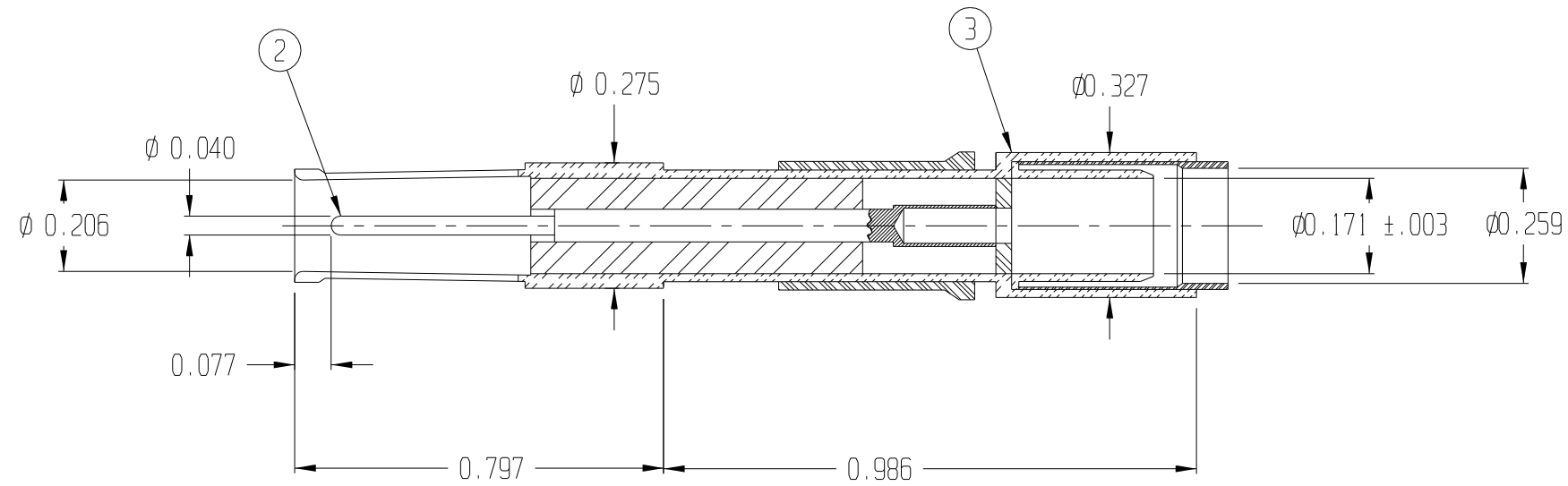


THIS DOCUMENT AND THE INFORMATION IT CONTAINS IS THE PROPERTY OF EMTEQ INC. AND MAY NOT BE USED IN ANY WAY WITHOUT THE EXPRESS WRITTEN CONSENT OF EMTEQ INC.

REV	REVISION	DATE	ER #	INTL
IR	INITIAL RELEASE	07/09/2009	9917	VML
A	ADD DETAIL TO CONNECTOR VIEW	08/04/2009	9990	VML



SPECIFICATIONS:

- 1) ELECTRICAL
 - IMPEDANCE: 50 OHMS
 - FREQUENCY RANGE: 0 TO 5 GHZ
 - VOLTAGE RATING: 1,000 V RMS
 - DIELECTRIC WITHSTANDING VOLTAGE: 1,500 RMS
 - INSULATION RESISTANCE: 5,000 MEGOHMS MIN.
- 2) MECHANICAL
 - TERMINATION STYLE: INNER CONTACT - SOLDER
OUTER CONTACT - CRIMP
 - TEMPERATURE RANGE: -55° C TO +125° C
 - FINISHES:
BODY FINISH: GOLD PLATED PER MIL-G-45204
CONTACT FINISH: GOLD PLATED PER MIL-G-45204

DESIGNED IN ACCORDANCE WITH ARINC 404B STANDARDS.

- 3) ASSEMBLY
REFER TO EMTEQ ASSMEBLY INSTRUCTIONS ES-105-39

1	29-100-63	CRIMP TUBE	4
1	02-2075-3	BODY	3
1	06-1361-4	CONTACT	2
1	15-996-1	INSULATOR(REAR)	1
A45	240-1	PART NUMBER	DESCRIPTION

PARTS LIST

MATERIAL	SCALE	SIZE B	DATE 7/9/2009	EMTEQ 5349 S. EMMER DRIVE NEW BERLIN, WI 53151 (888) 679-6170
FINISH	TOLERANCES UNLESS NOTED .XX = ± .03 .XXX = ± .010 ANGLES ± 1°		DRAWN V. LEX DESIGNED	
CAD GENERATED AND MAINTAINED DRAWING -- DO NOT SCALE			CHECKED T. FORST 08/12/2009	CONTACT, SIZE 5, ARINC 404, ITT CANNON
			APPROVED B. KOJIS 08/12/2009	CAGE CODE 06WH3
				DWG # A45240-1
				SHT 1 OF 1

NOTICE -- ALL CHANGES TO THIS DOCUMENT ARE CONTROLLED BY EMTEQ INC. / UNLESS OTHERWISE STATED, ALL REPRODUCTIONS OF THIS DOCUMENT ARE NOT CONTROLLED BY EMTEQ INC

FILE: A45240-1.PRT