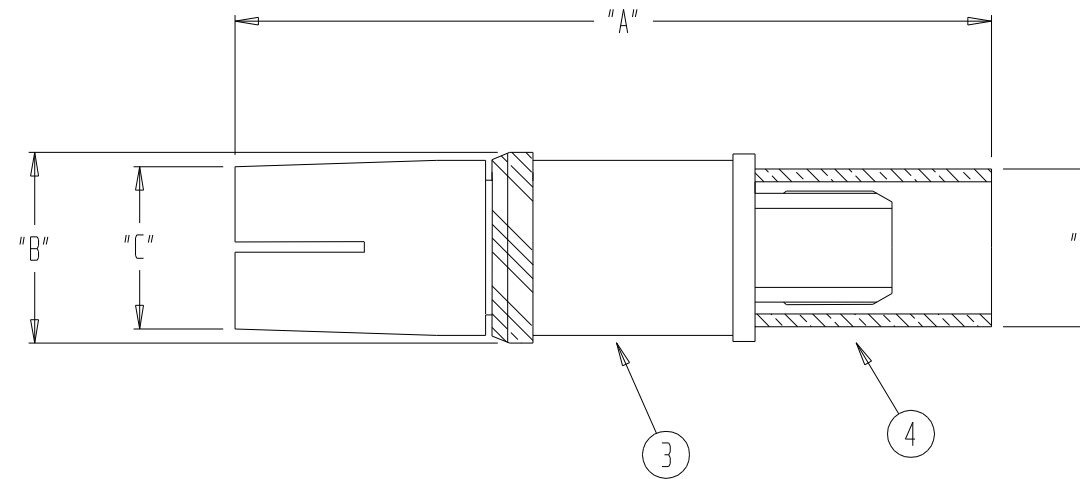


THIS DOCUMENT AND THE INFORMATION IT CONTAINS IS THE PROPERTY OF EMTEQ INC. AND MAY NOT BE USED IN ANY WAY WITHOUT THE EXPRESS WRITTEN CONSENT OF EMTEQ INC.

REV	REVISION	DATE	ER #	INTL
A	DELETED ITEM 5	05/05/2006	5272	LRL

DIMENSIONAL INFORMATION

PART NO.	"A"	"B"	"C"	"D"	ASS'Y INSTRUCTIONS
A45195-2	1.32 (33.5)	0.29 (7.4)	0.26 (6.6)	0.25 (6.4)	ES-105-04



SPECIFICATIONS:

1) ELECTRICAL

IMPEDANCE: 50 OHMS
 FREQUENCY RANGE: 0 TO 5 GHZ
 VOLTAGE RATING: 1,000 V RMS
 DIELECTRIC WITHSTANDIN VOLTAGE: 1,500 RMS
 INSULATION RESISTANCE: 5,000 MEGOHMS MIN.

2) MECHANICAL

TERMINATION STYLE: INNER CONTACT - SOLDER
 OUTER CONTACT - CRIMP
 TEMPERATURE RANGE: -55° C TO +125° C
 FINISHES:
 BODY FINISH: GOLD PLATED PER MIL-G-45204
 CONTACT FINISH: GOLD PLATED PER MIL-G-45204

DESIGNED IN ACCORDANCE WITH ARINC 404B STANDARDS.

QTY	DESCRIPTION	ITEM
	--DELETED--	5
1	29-100-4/29-100-74 CRIMP TUBE	4
1	02-1031-2 BODY	3
1	06-707-2 CONTACT	2
1	15-469-3 INSULATOR (REAR)	1
A45195-2	PART NUMBER	DESCRIPTION

PARTS LIST

MATERIAL	SCALE	SIZE B	DATE 8/30/99	 5349 S. EMMER DRIVE NEW BERLIN, WI 53151 (888) 679-6170
FINISH	TOLERANCES UNLESS NOTED		DRAWN J. HERMAN	
	.XX = ± .03		DESIGNED	
	.XXX = ± .010		CHECKED T. FORST 05/05/2006	
		ANGLES ± 1°	APPROVED [Signature] 05/05/2006	CONTACT, SIZE 5, ARINC 404 CAGE CODE 06WH3 DWG # A45195-2
CAD GENERATED AND MAINTAINED DRAWING -- DO NOT SCALE				SHT 1 OF 1 FILE: A45195-2.prt

NOTICE -- ALL CHANGES TO THIS DOCUMENT ARE CONTROLLED BY EMTEQ INC / UNLESS OTHERWISE STATED, ALL REPRODUCTIONS OF THIS DOCUMENT ARE NOT CONTROLLED BY EMTEQ INC